



ACCESS LIGHTING

ACCESS LIGHTING: MOUNTING HARDWARE

ACCESS LIGHTING: MOUNTING HARDWARE

Before assembling your ACCESS LIGHTING fixture, please make sure that you carefully read through this instruction sheet. Save this instruction sheet and refer to it when additions to or changes in the fixture configuration are made.

Lisez attentivement ce manuel d'instructions. Enregistrer cette feuille d'instructions et de s'y référer lorsque les ajouts ou changements dans la configuration de montage sont faites.

CONSULT A QUALIFIED ELECTRICIAN TO ENSURE CORRECT BRANCH CIRCUIT CONDUCTOR.

CONSULTER UN ELECTRICIEN QUALIFIE POUR VOUS ASSURER QUE LES CONDUCTEURS DE LA DERIVATION SONT ADEQUATS

THIS PRODUCT MUST BE INSTALLED IN ACCORDANCE WITH THE APPLICABLE INSTALLATION CODE BY A PERSON FAMILIAR WITH THE CONSTRUCTION AND OPERATION OF THE PRODUCT AND THE HAZARDS INVOLVED.

CE PRODUIT DOIT ETRE INSTALLE SELON LE CODE D'INSTALLATION PERTINENT, PAR UNE PERSONNE QUI CONNAIT BIEN LE PRODUIT ET SON FONCTIONNEMENT AINSI QUE LES RISQUES INHERENTS

WARNING: The important safeguards and instructions that appear in this manual are not meant to cover all possible conditions and situations that may occur. It must be understood that common sense, caution and care, are factors that can't be built into any product. These factors must be supplied by the person(s) caring for and operating the fixture.

Read all instructions

Do not install this fixture in hazardous locations.

N'installez pas cet appareil dans des emplacements dangereux.

Do not install any fixture assembly closer than 6 inches from any curtain or similar combustible material.

Laisser une distance d'au moins 6 pouces entre ce luminaire et la toute surface combustible.

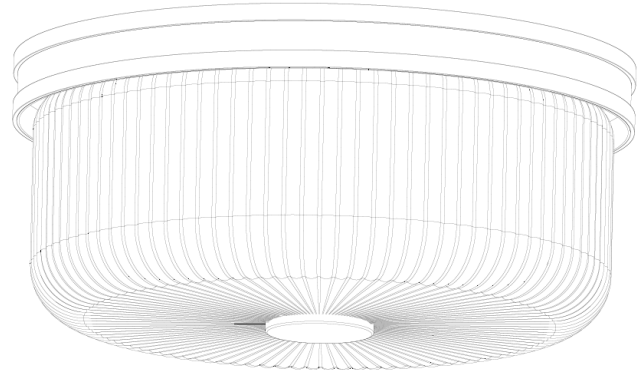
"WARNING Risk of Fire and Electric Shock."

"CAUTION: Risque d' Incendie et de Choc Electriques."

ACCESS LIGHTING: ELECTRICAL CONNECTIONS

All electrical connections must be in accordance with all ordinances, Local and the U.S. National Electrical Codes (NEC). These fixtures are intended for mounting to a standard 4" metal octagon outlet box.

The box must be directly supported by the building structure and U.L. Recognized.



ACCESS LIGHTING

ACCESS LIGHTING

ACCESS LIGHTING

Ceiling Fixture

63048LEDDCS

ACCESS LIGHTING: MOUNTING HARDWARE

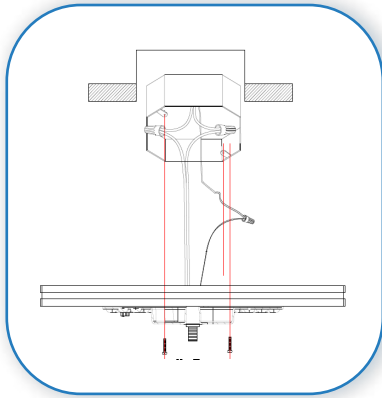
- Mounting Hardware
- LED

ACCESS LIGHTING: TOOLS

- Screwdriver
- Wire Cutters
- Wiring Supplies as Specified by Electrical Code

ACCESS LIGHTING: SAFETY INSTRUCTIONS

Before starting your installation disconnect the Power by turning off the Circuit Breaker or by removing the fuse at the fuse box. Just turning the light off at the light switch is not sufficient to prevent electrical shock.



1

MAKE WIRE CONNECTION

Expose the supply wires from the J-box.

Connect the black supply wire to the black fixture wire.

Secure with the supplied wire nuts. Connect the white

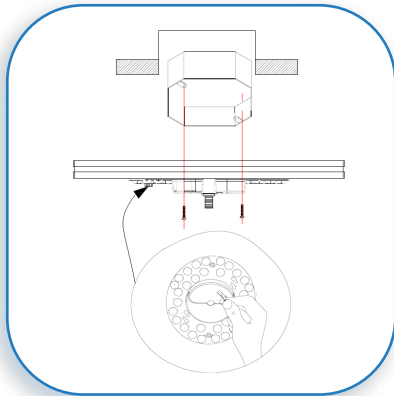
supply wire to the white fixture wire. Secure with the

supplied wire nuts. Attach the green J-Box wire to the

green supply grounding wire of the fixture. Secure all

wires with electrical tape (not supplied). Tuck all wires

carefully into the J-Box.



2

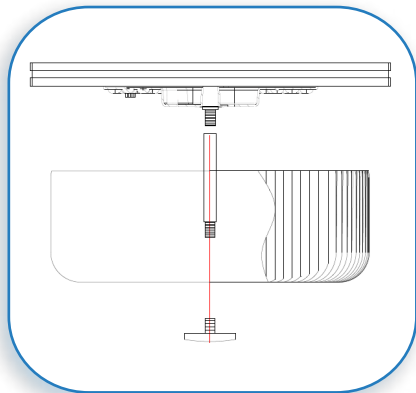
MOUNT FIXTURE

Align the fixture keyholes onto the junction box and

secure with the supplied screws. Select the desired

color temperature 30.35.40K via the selectable CCT

switch located on the front of the fixture interior.



3

COMPLETE INSTALLATION

Secure the center rod into the fixture pan by

turning clockwise. Align the glass onto the

center rod and secure the the provided finial



4

RESTORE THE ELECTRICITY AND CHECK THE OPERATION OF YOUR NEW ACCESS LIGHTING FIXTURE

CAUTION

If the fixture is to be removed or replaced, please ensure that the electricity is switched off and that the fitting is cool before touching it.